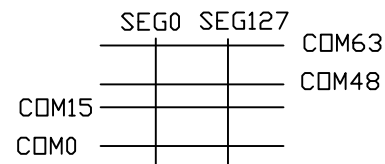
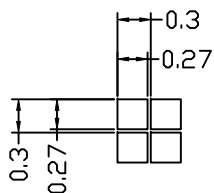
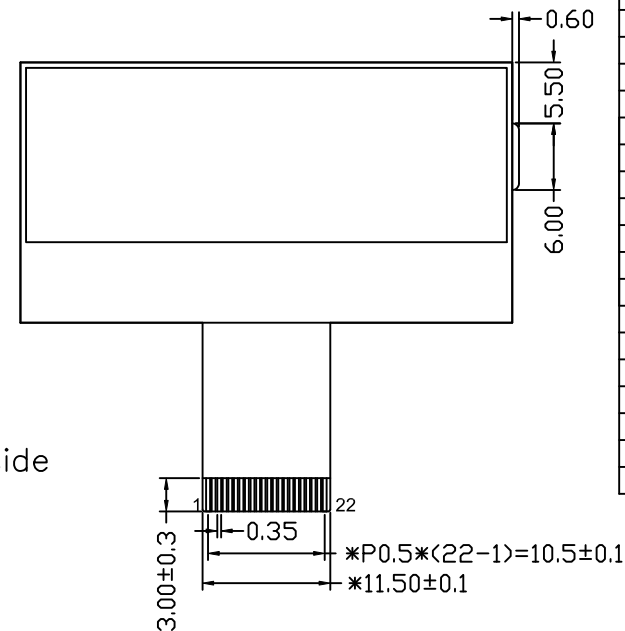
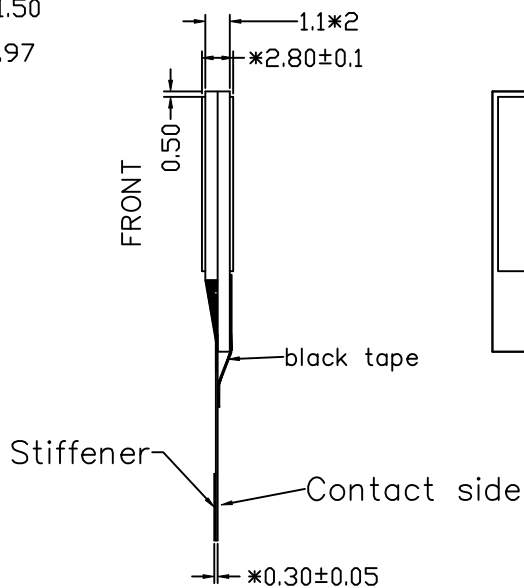
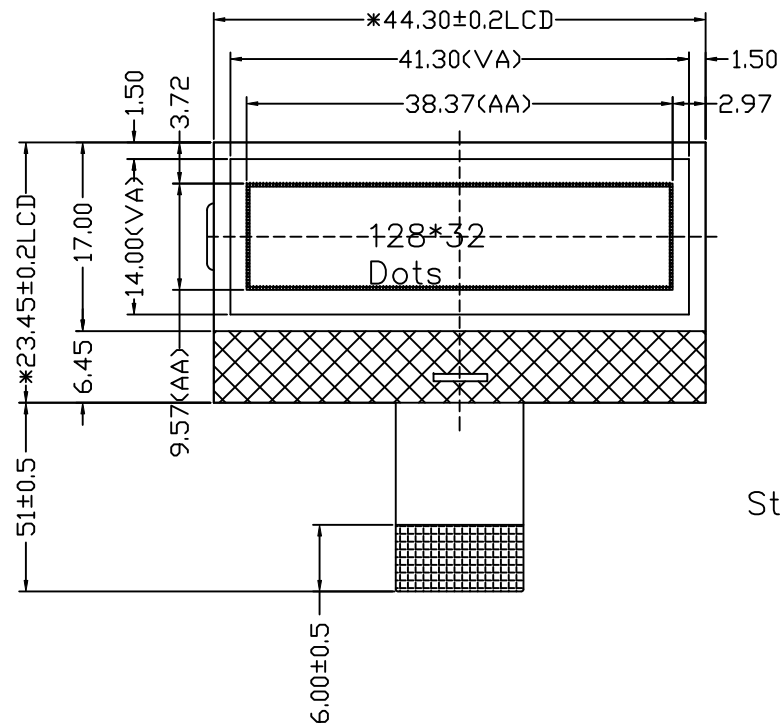


PIN ASSIGNMENT

1	GND
2	/CS1
3	/RES
4	A0
5	SCL
6	SI
7	VDD
8	VSS
9	VOUT
10	CAP3P
11	CAP1N
12	CAP1P
13	CAP2P
14	CAP2N
15	V4
16	V3
17	V2
18	V1
19	V0
20	VR
21	IRS
22	GND



COM & SEG LAYOUT

Display Type	FSTN
	POSITIVE
	REFLECTIVE
Front Polarizer	
Operating Method	1/33 DUTY, 1/6 BIAS
Viewing Angle	12'CLOCK
LCD Driver IC	ST7565R
Operating Voltage	VDD=3.3V
Driver Voltage	VLCD=6.5V
Operation Temperature	-20°C TO 70°C
Storage Temperature	-30°C TO 80°C
Interface	SERIAL, 4-SPI
Backlight	

NOTE:

1. GENERAL TOLERANCE: ±0.2.
2. (<...>) IS REFERENCE DIMENSION.
3. \* CRITICAL DIMENSION
4. COMPLIABLY RoHS.

					DRAWN	WKL	TITLE	DRAWING NO.			
					ME.CHECKED	MWW	MODULE SPEC.	STR-TG9285A			
					EE.CHECKED	MWW		UNIT	mm	SCALE	FIT
					PE.CHECKED	HJB		3rd Angle			
					APPROVED			BOM NO.: BM140512-05A			SHEET 1 OF 1
01	first issue		WKL	14.05.21	CUSTOMER'S		TRUEVISION TECHNOLOGIES LTD.				
VER.	SYMBOL	AMENDMENT	SIGN	DATE	APPROVAL						